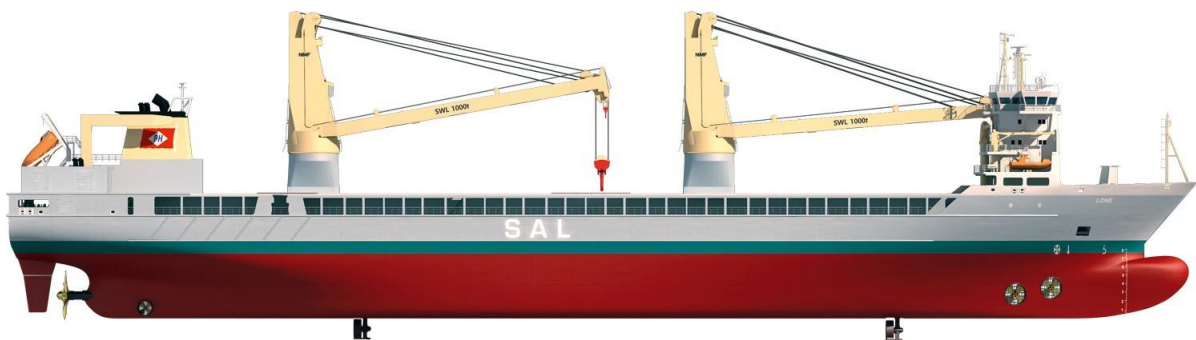




MV LONE SHIP'S PARTICULARS

TYPE 183 / DP 2

High-speed heavy cargo vessel



MV LONE SHIP'S PARTICULARS

TYPE 183 / DP 2



Flag of Registry: Antigua Barbuda
Port of Registry: St. John's

Owner: SAL Heavy Lift GmbH
Operator: SAL Heavy Lift GmbH
Technical Manager: SAL Ship Management UG (haftungsbeschränkt) & Co. KG
HSE Manager: SAL Ship Management UG (haftungsbeschränkt) & Co. KG

Classification: GL + 100 A5 EP BWM DG, Multi-Purpose Dry Cargo Ship, Equipped for Carriage of Containers, Hatchcoverless, Strengthened for Heavy Cargo + MC AUT DP-2, EP

Keel Laying: 2007/12
Commissioning date: 2011/03
Shipyard: J.J. Sietas KG, Germany
Newbuilding No.: 1280

Length over all:	160.50 m	Speed @ 85% MCR:	18 kn
Length between perps.:	149.38 m	Air draught (jibs in rest.):	41.09 m
Breadth moulded:	27.50 m	Air draught (jibs upright):	66.47 m
Breadth over all:	27.91 m		
Depth moulded:	13.80 m		

GT (int'l 69): 15 199 t
NT (int'l 69): 4 559 t
GT (Suez): 15 670.10 t
NT (Suez): 14 894.01 t
NT (Panama): 12 925 t

<i>(Summer)</i>		<i>(Summer – Open Top)</i>	
Draught:	9.01 m	Draught:	7.50 m
Deadweight:	12 501 t	Deadweight:	7 396 t
Freshwater Allowance:	165 mm	Freshwater Allowance:	145 mm
Freeboard:	1.809 m	Freeboard:	3.309 m
Displacement:	23 600 t	Displacement:	18 500 t

Capacity BW: 10 446 m³
Capacity GO: 247 m³
Capacity HFO: 1686 m³
Capacity FW: 261 m³

Cargo gear: 2 cranes, each 1000 t SWL (in combination 2000 t); auxiliary hoist 2 x 60 t; sling hoist 2 x 10 t, auxiliary hoist proved for man riding

Hatch cover: MacGREGOR hydraulic operated combined folding type and lift and roll type
Number of holds: 1
Number of hatches: 1
Dimension of hold: 107.1 x 17.0 x 13.5 m
Volume of hold: 17 735 m³ (with tweendeck)
Bale capacity: 626 310 cuft
Free deckspace: 3332 m²

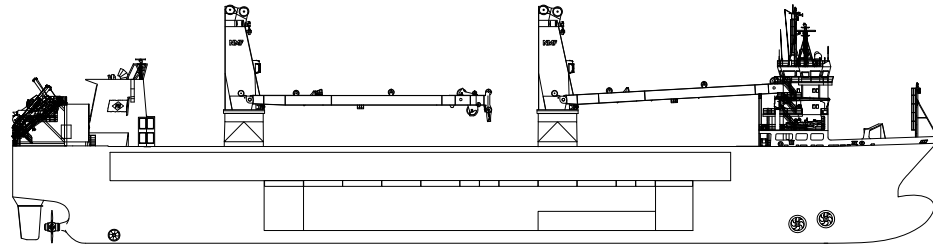
Main Engine: MAN 9L 58/64; 12 600 kW @ 428 min-1
Rudder: High-Efficiency flap rudder Sietas-type
Bow Tunnels: Brunvoll FU-80-LCR-2250 (1200 kW) x2
Aft Tunnel: Brunvoll FU-63-LTC-1750 (745 kW)
Thrusters: Retractable Azimuth Thruster fwd and aft (1200 kW each)

Certifications:



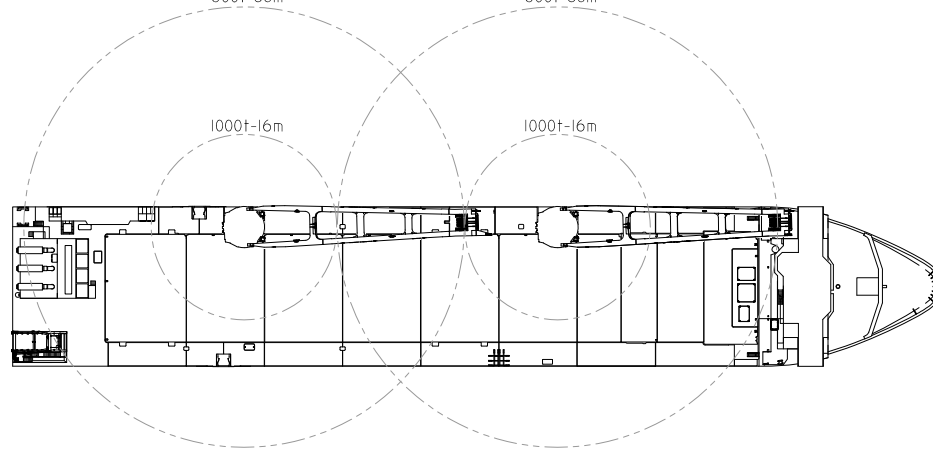
MV LONE SHIP'S PARTICULARS

TYPE 183 / DP 2



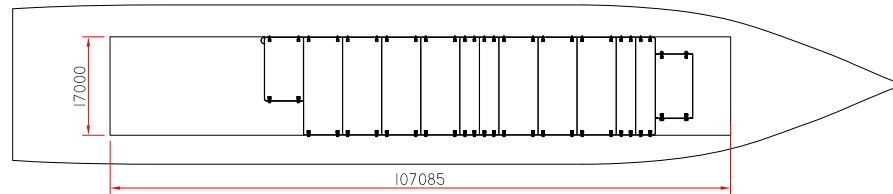
500t-38m

500t-38m



1000t-16m

1000t-16m



17000

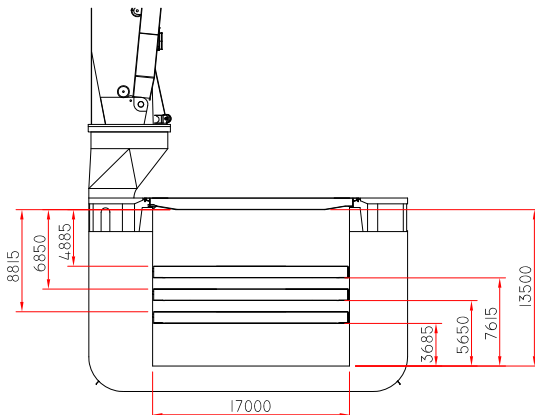
107085

40406

17000

17000

74000



8815

6850

4885

13500

3685

5650

7615

17000