



SHIP PARTICULARS

12K-500

Name	Built	IMO-No.	Flag	Name	Built	IMO-No.	Flag
Servant ¹⁾	2018	9741126	Hong Kong	Industrial Swift ¹⁾	2016	9741152	Liberia
Industrial Skipper ²⁾	2016	9741138	Liberia	Industrial Song ³⁾	2016	9750464	Portugal

GENERAL INFORMATION

Type	Box-Hold MPP Tweendecker
Class	Lloyd's Register ¹⁾ DNV ²⁾

TONNAGE

DWT	12,300 mt
GT	11,619
NT	4,391 ^{1),3)} 4,396 ²⁾

MAIN DATA

LOA	147.00 m
Beam	22.80 m
Summer Draft	8.10 m
Max Speed	15.1 knots ^{1),2)} 16 knots ³⁾

HOLDS/HATCHES

Number	2 Holds / 2 Hatches
Hold No.1	12.75 x 12.56 x 11.30 m
Hold No.2	76.50 x 17.60 x 11.70 m
Hatch No.1	12.75 x 12.56 m
Hatch No.2	76.50 x 17.60 m

CARGO CAPACITY

with Tweendeck	17,600 cbm / 621,538 cbft	Bale
-----------------------	---------------------------	------

FLOOR SPACE

Under Deck	2,853 m ² ^{1),2)} 2,951 m ² ³⁾
On Deck	1,560 m ² ^{1),2)} 2,160 m ² ³⁾
Total	4,413 m ² ^{1),2)} 5,111 m ² ³⁾

MAX. PERMISSABLE LOAD

Tanktop	16 mt/m ²
Tweendeck	4.0 mt/m ²
Hatchcovers	4.0 mt/m ²

CONTAINERS CAPACITY

Total	842 TEU
Reefer Plugs	50

CARGO HANDLING GEAR

Cranes	2 x 250 mt (portside)
Combined Lift Capacity	500 mt

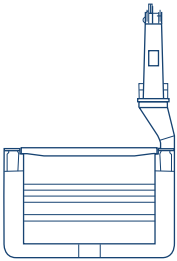
SPECIAL EQUIPMENT/FEATURE

Highest Ice Class	1D
IMO fitted	Yes
Lakes Fitted	Yes
CO2 Fitted	Yes
A60 Bulk Head	
Grain Fitted	Yes
Bowthruster	600 KW

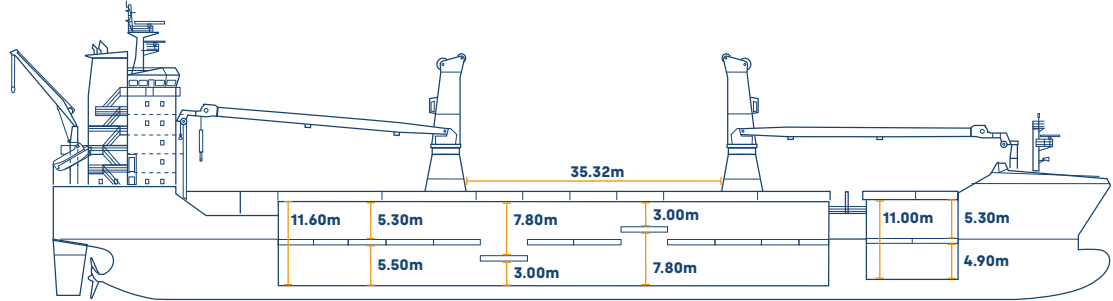
All details including speed are given in good faith and can vary on the individual vessels. They are to be considered „about“, are given without guarantee and must not be used as basis for charterparties or contracts without Intermarine's explicit written authority. For further information, please contact info@intermarine.com // **Last Revised: April 2024**

12K-500
SERVANT
INDUSTRIAL SKIPPER
INDUSTRIAL SWIFT
INDUSTRIAL SONG

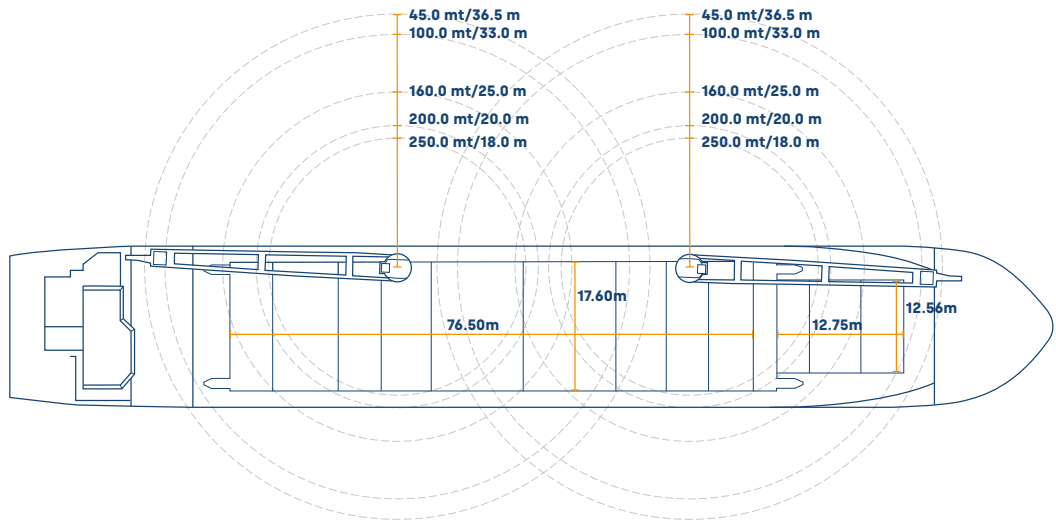
BACK



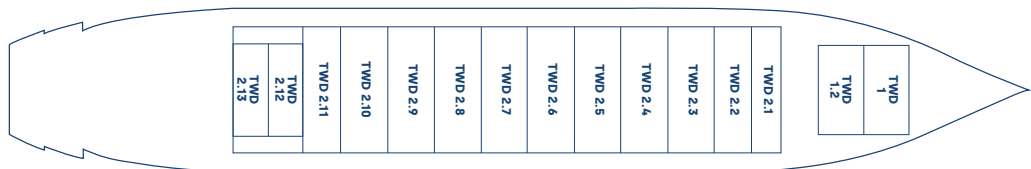
SIDE



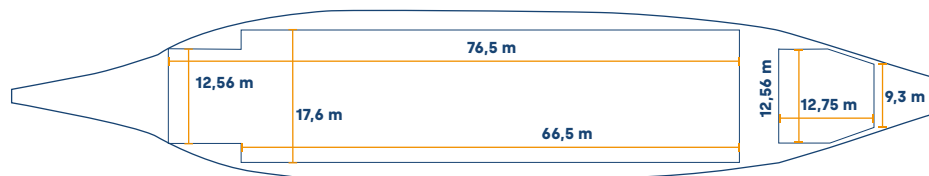
MAINDECK



TWEENDECK



TANKTOP



All details including speed are given in good faith and can vary on the individual vessels. They are to be considered „about“, are given without guarantee and must not be used as basis for charterparties or contracts without Intermarine’s explicit written authority. For further information, please contact info@intermarine.com // **Last Revised: April 2024**